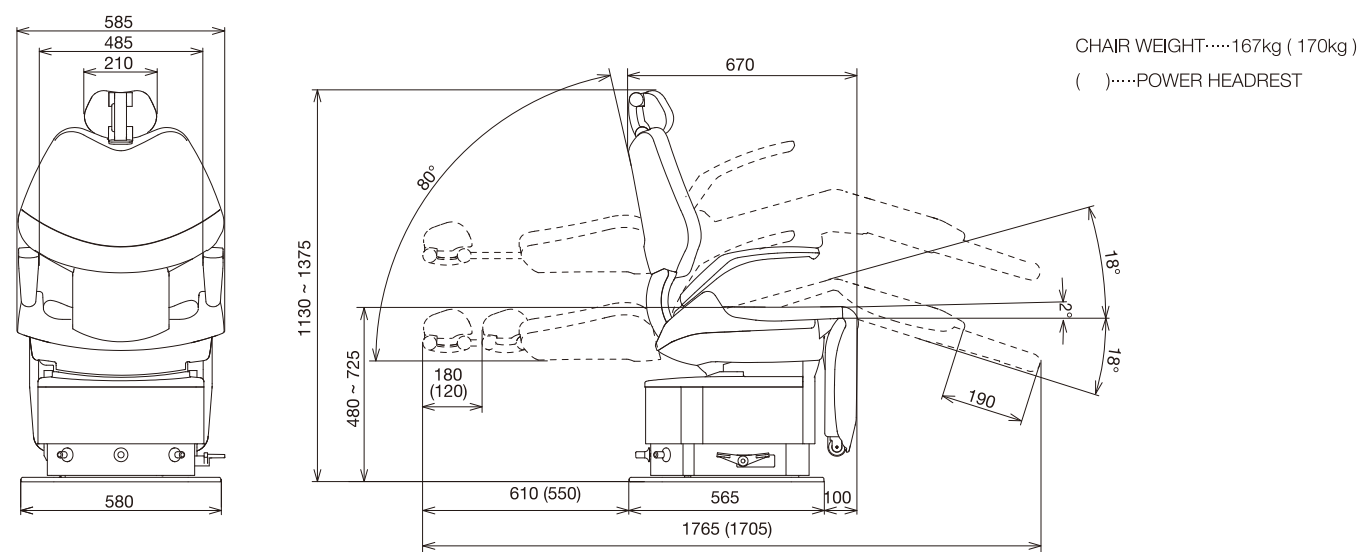


EURUS SWIVEL CHAIR



Dimensions



The specifications are subject to change without notice.

EURUS SWIVEL CHAIR allows patients to enter and exit the chair with an experience similar to sitting in a home armchair. The unique design is ideal for face-to-face consultation and communication between dentist and patient, permits direct frontal access to patients for treatment procedures.

Features



With the legrest folded away, dentist and patients can interact more comfortably during face-to-face consultation and treatment procedures that may require direct frontal access, such as in cosmetic and orthodontic dentistry and for the assessment of jaw alignment.



The chair rotates on its base left-to-right so patients can be repositioned for taking X-rays for treatment procedures. The chair's small footprint in the upright position requires less space within the surgery.



Synchronised Seat Motion

Synchronised shockless movement of the backrest, seat and legrest enhance patient comfort as they are positioned for treatment. As the backrest reclines, the seat tilts backward and the legrest slides outward to provide support for the patient's legs.



Chair Rotation

The chair rotates 105 degrees to the left & right on each side of center, and patients can be repositioned as needed so that treatment and consultation can be done at an appropriate position.



Armrest

Armrest rotates outward to provide excellent access for patients when entering or exiting the chair. With the chair base bolted to the floor for maximum stability, armrest can provide support for patients when being seated and when getting up from chair.



Headrest Choices

The double articulating headrest version is manually adjustable and provides a wide range of positioning flexibility for superb access to patient maxillary and mandibular arches for examination and treatment. The power headrest version permits hands-free positioning of the patient's head for examination and treatment.



Seat Positioning Controls and Rotation Lock

Foot activated stick switches are integrated into the doctor and assistant side of the chair base for convenience and ease of seat positioning, without the need to resort to a wired external foot control. A pivoting foot pedal located on the side of the chair base is utilised for hands-free locking/ releasing of chair rotation.